



# DBM-1™

## Flat Steel Key Duplicator

Makes Fast Work Out Of Flat Steel Key Duplication



**Wire Brush Included**



The Framon DBM-1 is designed to cut safety deposit box, locker, and padlock keys. This specialized flat key duplicator will duplicate blanks up to 3 1/2" long.

The DBM-1 comes equipped with a .045" carbide slotter. After recent design changes, the DBM-1 now features a wire deburring brush (nylon also available).

### All The Quality You've Come To Expect From Framon...

#### Rotating Guide For Different Cutter Widths.

The DBM-1 features a rotating guide which can be paired up to six different cutter widths. Widths available in .035", .055", .066", and .088". A .100" cut can be made by pairing the .045" and .055" cutters.

### The Framon DBM-1: Designed To Do One Job And Do It Right...

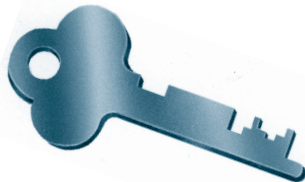
Depth adjustments can be made in .001" increments. As with all Framon products, sealed ball bearings are used in the spindle. Built-in rod wipers keep the carriage rod clean as you cut keys.

You can expect years of trouble-free service from your DBM-1. Cut Master Padlock corrugated keys, locker, letterbox, and safety-deposit box. Even cut two keys at a time!



#### PADLOCK KEYS

Single and double sided Master.



#### LOCKER AND LETTER-BOX KEYS

Yale, National Eagle, Auth, Couch, Florence, Etc.

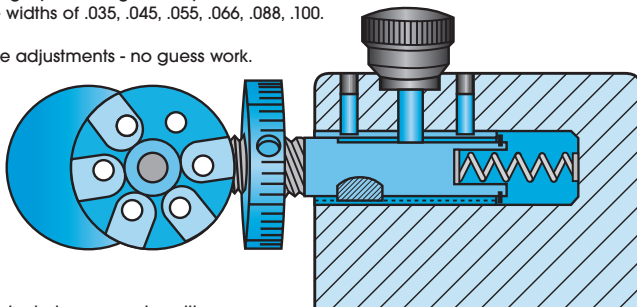


#### SAFETY DEPOSIT BOX KEYS

Diebold, Master, Yale Sargent & Greenleaf Victor, LeFebure, HHM, York.

Rotating stylus changes easily to 6 different guide widths of .035, .045, .055, .066, .088, .100.

Precise adjustments - no guess work.



Guide locks in rearward position for easy tip alignment, no spring pressure.

#### DBM-1

Available with 110V AC or 12V DC Motor - no upcharge  
220V Motor Available at Extra Charge  
Dimensions: 10 1/2" W x 16" D x 6 1/4" H  
Weight: 33 lbs.  
See page 25 for optional cutters